

© Copyright SEK Svensk Elstandard. Reproduction in any form without permission is prohibited.

Signalöverföring i lågspänningsinstallationer i frekvensområdet 3 kHz till 148,5 kHz – Del 4-1: Avkopplingsfilter för lågspänning – Artspecifikation

*Signalling on low-voltage electrical installations in the frequency range 3 kHz to 148,5 kHz –
Part 4-1: Low voltage decoupling filters –
Generic specification*

Som svensk standard gäller europastandarden EN 50065-4-1:2023. Den svenska standarden innehåller den officiella engelska språkversionen av EN 50065-4-1:2023.

Nationellt förord

Tidigare fastställd svensk standard SS-EN 50065-4-1, utg 1:2001 med eventuella tillägg, ändringar och rättelser, gäller ej fr o m 2026-03-24.

ICS 31.160.00; 33.040.30; 97.120.00

Denna standard är fastställd av SEK Svensk Elstandard, som också kan lämna upplysningar om **sakinnehållet** i standarden.
Postadress: Box 1284, 164 29 KISTA
Telefon: 08 - 444 14 00.
E-post: sek@elstandard.se. Internet: www.elstandard.se

Standarder underlättar utvecklingen och höjer elsäkerheten

Det finns många fördelar med att ha gemensamma tekniska regler för bl a mätning, säkerhet och provning och för utförande, skötsel och dokumentation av elprodukter och elanläggningar.

Genom att utforma sådana standarder blir säkerhetsfordringar tydliga och utvecklingskostnaderna rimliga samtidigt som marknadens acceptans för produkten eller tjänsten ökar.

Många standarder inom elområdet beskriver tekniska lösningar och metoder som åstadkommer den elsäkerhet som föreskrivs av svenska myndigheter och av EU.

SEK är Sveriges röst i standardiseringsarbetet inom elområdet

SEK Svensk Elstandard svarar för standardiseringen inom elområdet i Sverige och samordnar svensk medverkan i internationell och europeisk standardisering. SEK är en ideell organisation med frivilligt deltagande från svenska myndigheter, företag och organisationer som vill medverka till och påverka utformningen av tekniska regler inom elektrotekniken.

SEK samordnar svenska intressenters medverkan i SEKs tekniska kommittéer och stödjer svenska experters medverkan i internationella och europeiska projekt.

Stora delar av arbetet sker internationellt

Utformningen av standarder sker i allt väsentligt i internationellt och europeiskt samarbete. SEK är svensk nationalkommitté av International Electrotechnical Commission (IEC) och Comité Européen de Normalisation Electrotechnique (CENELEC).

Standardiseringsarbetet inom SEK är organiserat i referensgrupper bestående av ett antal tekniska kommittéer som speglar hur arbetet inom IEC och CENELEC är organiserat.

Arbetet i de tekniska kommittéerna är öppet för alla svenska organisationer, företag, institutioner, myndigheter och statliga verk. Den årliga avgiften för deltagandet och intäkter från försäljning finansierar SEKs standardiseringsverksamhet och medlemsavgift till IEC och CENELEC.

Var med och påverka!

Den som deltar i SEKs tekniska kommittéarbete har möjlighet att påverka framtida standarder och får tidig tillgång till information och dokumentation om utvecklingen inom sitt teknikområde. Arbetet och kontakterna med kollegor, kunder och konkurrenter kan gynnsamt påverka enskilda företags affärsutveckling och bidrar till deltagarnas egen kompetensutveckling.

Du som vill dra nytta av dessa möjligheter är välkommen att kontakta SEKs kansli för mer information.

SEK Svensk Elstandard

Box 1284
164 29 Kista
Tel 08-444 14 00
www.elstandard.se

English Version

Signalling on low-voltage electrical installations in the frequency range 3 kHz to 148,5 kHz Part 4-1: Low voltage decoupling filters - Generic specification

Transmission de signaux sur les réseaux électriques basse tension dans la bande de fréquences de 3 kHz à 148,5 kHz
- Partie 4-1: Filtres de découplage basse tension -
Spécification générique

Signalübertragung auf elektrischen Niederspannungsnetzen im Frequenzbereich 3 kHz bis 148,5 kHz Teil 4-1:
Niederspannungs-Entkopplungsfilter -
Fachgrundspezifikation

This European Standard was approved by CENELEC on 2022-10-03. CENELEC members are bound to comply with the CEN/CENELEC Internal Regulations which stipulate the conditions for giving this European Standard the status of a national standard without any alteration.

Up-to-date lists and bibliographical references concerning such national standards may be obtained on application to the CEN-CENELEC Management Centre or to any CENELEC member.

This European Standard exists in three official versions (English, French, German). A version in any other language made by translation under the responsibility of a CENELEC member into its own language and notified to the CEN-CENELEC Management Centre has the same status as the official versions.

CENELEC members are the national electrotechnical committees of Austria, Belgium, Bulgaria, Croatia, Cyprus, the Czech Republic, Denmark, Estonia, Finland, France, Germany, Greece, Hungary, Iceland, Ireland, Italy, Latvia, Lithuania, Luxembourg, Malta, the Netherlands, Norway, Poland, Portugal, Republic of North Macedonia, Romania, Serbia, Slovakia, Slovenia, Spain, Sweden, Switzerland, Türkiye and the United Kingdom.



European Committee for Electrotechnical Standardization
Comité Européen de Normalisation Electrotechnique
Europäisches Komitee für Elektrotechnische Normung

CEN-CENELEC Management Centre: Rue de la Science 23, B-1040 Brussels

Contents	Page
European foreword	3
Introduction.....	5
1 Scope	6
2 Normative references	6
3 Terms and definitions.....	6
4 Symbols and abbreviations	8
5 Requirements.....	8
5.1 Marking	8
5.1.1 General information	8
5.1.2 Instruction sheet.....	8
5.2 Requirements of decoupling filter.....	8
5.2.1 Nominal current	8
5.2.2 Nominal voltage	8
5.2.3 Impedance.....	9
5.2.4 Transfer function	9
5.2.5 Leakage current	9
5.2.6 Voltage drop at 50 Hz.....	9
5.2.7 Power dissipation	9
5.2.8 Overcurrent.....	9
5.2.9 Overvoltage / surges.....	9
5.2.10 Mechanical shocks	9
6 Test method	9
6.1 Decoupling filter impedance	9
6.2 Transfer function	10
6.3 Leakage current.....	12
6.4 Voltage drop at 50 Hz	13
6.5 Power dissipation	14
6.6 Mechanical shocks	14
Bibliography.....	15

European foreword

This document (EN 50065-4-1:2023) has been prepared by WG 12 “Filters” of CLC/TC 219 “Mains communicating systems”.

The following dates are fixed:

- latest date by which this document has to be implemented at national level by publication of an identical national standard or by endorsement (dop) 2023-09-24
- latest date by which the national standards conflicting with this document have to be withdrawn (dow) 2026-03-24

This document supersedes EN 50065-4-1:2001 and all of its amendments and corrigenda (if any).

EN 50065-4-1:2022 includes the following significant technical changes with respect to EN 50065-4-1:2001:

The main changes introduced in this draft are in the specification of the requirements, test methods and setup regarding the decoupling filter impedance, transfer function, leakage current, voltage drop, power dissipation, overcurrent, overvoltage and endurance to mechanical shocks.

Attention is drawn to the possibility that some of the elements of this document may be the subject of patent rights. CENELEC shall not be held responsible for identifying any or all such patent rights.

EN 50065 consists of the following parts, under the general title: *Signalling on low voltage electrical installations in the frequency range 3 kHz to 148,5 kHz*:

Part 1: General requirements, frequency bands and electromagnetic disturbances

Part 2-1: Immunity requirements for mains communications equipment and systems operating in the range of frequencies 95 kHz to 148,5 kHz and intended for use in residential, commercial and light industrial environments

Part 2-2: Immunity requirements for mains communications equipment and systems operating in the range of frequencies 95 kHz to 148,5 kHz and intended for use in industrial environments

Part 2-3: Immunity requirements for mains communications equipment and systems operating in the range of frequencies 3 kHz to 95 kHz and intended for use by electricity suppliers and distributors

Part 4-1: Low voltage decoupling filters – Generic specification

Part 4-2: Low voltage decoupling filters – Safety requirements

Part 4-3: Low voltage decoupling filters – Incoming filter

Part 4-4: Low voltage decoupling filters – Impedance filter

Part 4-5: Low voltage decoupling filters – Segmentation filter

Part 4-6: Low voltage decoupling filters – Phase coupler

Part 4-7: Portable low voltage decoupling filters – Safety requirements

Part 7: Equipment impedance

This document has been prepared under a Standardization Request given to CENELEC by the European Commission and the European Free Trade Association.

Any feedback and questions on this document should be directed to the users' national standards body/national committee. A complete listing of these bodies can be found on the CENELEC website.

Introduction

Electrical networks, in spite of being a difficult medium for data communication due to signal attenuation, noise level and coupling side impedance, are considered as an important transmission medium for supporting Distribution Automation and Home and Building Electronic Systems (HBES).

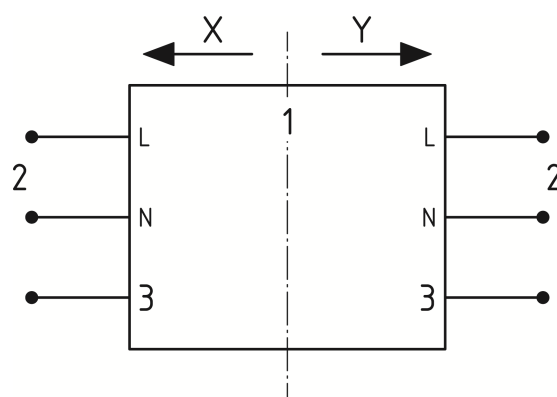
In order to avoid unwanted interference among mains communication equipment and/or low impedance issues on low voltage networks, a suitable device called “decoupling filter” may be installed either on the public supply network or within installations in consumers' premises.

A decoupling filter is a generic name given to incoming filters, impedance filters, segmentation filters and phase couplers.

The decoupling filter may be used:

- to limit the transmission area of wanted signals to the area in which the mains communication system operates.
- to reduce unwanted signals coming from the other side of the mains port.
- to allow simultaneous communication on both sides of the filter.
- to set a suitable impedance to the mains power ports at the signalling frequency.
- to provide a return path for the signal when needed (e.g. common mode propagation).

A decoupling filter may perform all the functions listed above or some of them.



Key

1	Filter
2	Mains port
3	Earth (optional)

X	Y
Utility	Consumer
Utility	Utility (*)
Consumer	Consumer (*)

(*) in this case, the filter may be reversed

Figure 1 — Decoupling filter ports and environment

1 Scope

This document applies to decoupling filters installed on the low voltage mains network and operating in the frequency range 3 kHz to 148,5 kHz.

It does not apply to EMI suppression filters incorporated in household equipment or other general electric equipment.

It specifies the definitions, requirements and test methods of the functional, technical and environmental characteristics of the decoupling filter, e.g. impedance, transfer function, voltage drop, leakage current and power dissipation.

The impedance and the transfer function are referred to the decoupling filter mains power ports (see Figure 1).

2 Normative references

The following documents are referred to in the text in such a way that some or all of their content constitutes requirements of this document. For dated references, only the edition cited applies. For undated references, the latest edition of the referenced document (including any amendments) applies.

EN 50065-1, *Signalling on low-voltage electrical installations in the frequency range 3 kHz to 148,5 kHz - Part 1: General requirements, frequency bands and electromagnetic disturbances*

EN 50065-4 series, *Signalling on low voltage electrical installations in the frequency range 3 kHz to 148,5 kHz*

EN 60068-2-27, *Environmental testing - Part 2-27: Tests - Test Ea and guidance: Shock (IEC 60068-2-27)*

EN 60417-1, *Graphical symbols for use on equipment – Part 1: Overview and application (IEC 60417-1)*

EN 60417-2, *Graphical symbols for use on equipment – Part 2: Symbol originals (IEC 60417-2)*

EN 60617 series, *Graphical symbols for diagrams (IEC 60617 series)*

IEC 60027 series, *Letter symbols to be used in electrical technology*

IEC 60050-161, *International Electrotechnical Vocabulary (IEV) – Part 161: Electromagnetic compatibility*

IEC 80416 series, *Basic principles for graphical symbols for use on equipment*