

© Copyright SEK Svensk Elstandard. Reproduction in any form without permission is prohibited.

Kopplingsapparater för högst 1000 V – Del 5-7: Manöverkretsapparater och kopplingselement – Beröringsfria lägesomkopplare med analog utgång

*Low-voltage switchgear and controlgear –
Part 5-7: Control circuit devices and switching elements –
Requirements for proximity devices with analogue output*

Som svensk standard gäller europastandarden EN IEC 60947-5-7:2025. Den svenska standarden innehåller den officiella engelska språkversionen av EN IEC 60947-5-7:2025.

Nationellt förord

Europastandarden EN IEC 60947-5-7:2025

består av:

- **europastandardens ikraftsättningsdokument**, utarbetat inom CENELEC
- **IEC 60947-5-7, Second edition, 2024 - Low-voltage switchgear and controlgear – Part 5-7: Control circuit devices and switching elements – Requirements for proximity devices with analogue output**

utarbetad inom International Electrotechnical Commission, IEC.

Standarden ska användas tillsammans med SS-EN IEC 60947-5-2, utg 4:2020.

Tidigare fastställd svensk standard SS-EN 60947-5-7, utg 1:2003 med eventuella tillägg, ändringar och rättelser gäller ej fr o m 2028-09-30.

ICS 29.130.20

Denna standard är fastställd av SEK Svensk Elstandard, som också kan lämna upplysningar om **sakinnehållet** i standarden.
Postadress: Box 1042, 172 21 Sundbyberg
Telefon: 08 - 444 14 00.
E-post: sek@elstandard.se. Internet: elstandard.se

Standarder underlättar utvecklingen och höjer elsäkerheten

Det finns många fördelar med att ha gemensamma tekniska regler för bl a mätning, säkerhet och provning och för utförande, skötsel och dokumentation av elprodukter och elanläggningar.

Genom att utforma sådana standarder blir säkerhetsfordringar tydliga och utvecklingskostnaderna rimliga samtidigt som marknadens acceptans för produkten eller tjänsten ökar.

Många standarder inom elområdet beskriver tekniska lösningar och metoder som åstadkommer den elsäkerhet som föreskrivs av svenska myndigheter och av EU.

SEK är Sveriges röst i standardiseringsarbetet inom elområdet

SEK Svensk Elstandard svarar för standardiseringen inom elområdet i Sverige och samordnar svensk medverkan i internationell och europeisk standardisering. SEK är en ideell organisation med frivilligt deltagande från svenska myndigheter, företag och organisationer som vill medverka till och påverka utformningen av tekniska regler inom elektrotekniken.

SEK samordnar svenska intressenters medverkan i SEKs tekniska kommittéer och stödjer svenska experters medverkan i internationella och europeiska projekt.

Stora delar av arbetet sker internationellt

Utformningen av standarder sker i allt väsentligt i internationellt och europeiskt samarbete. SEK är svensk nationalkommitté av International Electrotechnical Commission (IEC) och Comité Européen de Normalisation Electrotechnique (CENELEC).

Standardiseringsarbetet inom SEK är organiserat i referensgrupper bestående av ett antal tekniska kommittéer som speglar hur arbetet inom IEC och CENELEC är organiserat.

Arbetet i de tekniska kommittéerna är öppet för alla svenska organisationer, företag, institutioner, myndigheter och statliga verk. Den årliga avgiften för deltagandet och intäkter från försäljning finansierar SEKs standardiseringsverksamhet och medlemsavgift till IEC och CENELEC.

Var med och påverka!

Den som deltar i SEKs tekniska kommittéarbete har möjlighet att påverka framtida standarder och får tidig tillgång till information och dokumentation om utvecklingen inom sitt teknikområde. Arbetet och kontakterna med kollegor, kunder och konkurrenter kan gynnsamt påverka enskilda företags affärsutveckling och bidrar till deltagarnas egen kompetensutveckling.

Du som vill dra nytta av dessa möjligheter är välkommen att kontakta SEKs kansli för mer information.

SEK Svensk Elstandard

Box 1042
172 21 Sundbyberg
Tel 08-444 14 00
elstandard.se

English Version

**Low-voltage switchgear and controlgear - Part 5-7: Control
circuit devices and switching elements - Proximity devices with
analogue output
(IEC 60947-5-7:2024)**

Appareillage à basse tension - Partie 5-7: Appareils et
éléments de commutation pour circuits de commande -
DéTECTEURS de proximité à sortie analogique
(IEC 60947-5-7:2024)

Niederspannungsschaltgeräte - Teil 5-7: Steuergeräte und
Schaltelemente - Anforderungen an Näherungssensoren
mit Analogausgang
(IEC 60947-5-7:2024)

This European Standard was approved by CENELEC on 2024-10-16. CENELEC members are bound to comply with the CEN/CENELEC Internal Regulations which stipulate the conditions for giving this European Standard the status of a national standard without any alteration.

Up-to-date lists and bibliographical references concerning such national standards may be obtained on application to the CEN-CENELEC Management Centre or to any CENELEC member.

This European Standard exists in three official versions (English, French, German). A version in any other language made by translation under the responsibility of a CENELEC member into its own language and notified to the CEN-CENELEC Management Centre has the same status as the official versions.

CENELEC members are the national electrotechnical committees of Austria, Belgium, Bulgaria, Croatia, Cyprus, the Czech Republic, Denmark, Estonia, Finland, France, Germany, Greece, Hungary, Iceland, Ireland, Italy, Latvia, Lithuania, Luxembourg, Malta, the Netherlands, Norway, Poland, Portugal, Republic of North Macedonia, Romania, Serbia, Slovakia, Slovenia, Spain, Sweden, Switzerland, Türkiye and the United Kingdom.



European Committee for Electrotechnical Standardization
Comité Européen de Normalisation Electrotechnique
Europäisches Komitee für Elektrotechnische Normung

CEN-CENELEC Management Centre: Rue de la Science 23, B-1040 Brussels

European foreword

The text of document 121A/592/FDIS, future edition 2 of IEC 60947-5-7, prepared by SC 121A "Low-voltage switchgear and controlgear" of IEC/TC 121 "Switchgear and controlgear and their assemblies for low voltage" was submitted to the IEC-CENELEC parallel vote and approved by CENELEC as EN IEC 60947-5-7:2025.

The following dates are fixed:

- latest date by which the document has to be implemented at national (dop) 2026-09-30 level by publication of an identical national standard or by endorsement
- latest date by which the national standards conflicting with the (dow) 2028-09-30 document have to be withdrawn

This document supersedes EN 60947-5-7:2003 and all of its amendments and corrigenda (if any).

Attention is drawn to the possibility that some of the elements of this document may be the subject of patent rights. CENELEC shall not be held responsible for identifying any or all such patent rights.

This document is read in conjunction with EN IEC 60947-5-2:2020.

Any feedback and questions on this document should be directed to the users' national committee. A complete listing of these bodies can be found on the CENELEC website.

Endorsement notice

The text of the International Standard IEC 60947-5-7:2024 was approved by CENELEC as a European Standard without any modification.

In the official version, for Bibliography, the following notes have to be added for the standard indicated:

IEC 60068-2-31	NOTE	Approved as EN 60068-2-31
IEC 61131-2:2017	NOTE	Approved as EN IEC 61131-2:— ¹ (not modified)
IEC 61158 series	NOTE	Approved as EN 61158 series
IEC 61784-1-0	NOTE	Approved as EN IEC 61784-1-0
IEC 61784-2-0	NOTE	Approved as EN IEC 61784-2-0
IEC 61784-5-1	NOTE	Approved as EN 61784-5-1
IEC 61784-2	NOTE	Approved as EN IEC 61784-2
IEC 62683-1:2017	NOTE	Approved as EN 62683-1:2017 (not modified)
IEC 62828-1:2017	NOTE	Approved as EN IEC 62828-1:2018 (not modified)
IEC 62828-4:2020	NOTE	Approved as EN IEC 62828-4:2020 (not modified)
IEC/TR 63201:2019	NOTE	Approved as CLC IEC/TR 63201:2020 (not modified)

¹ Under preparation. Stage at the time of publication: FprEN IEC 61131-2:2017.

Annex ZA (normative)

Normative references to international publications with their corresponding European publications

The following documents are referred to in the text in such a way that some or all of their content constitutes requirements of this document. For dated references, only the edition cited applies. For undated references, the latest edition of the referenced document (including any amendments) applies.

NOTE 1 Where an International Publication has been modified by common modifications, indicated by (mod), the relevant EN/HD applies.

NOTE 2 Up-to-date information on the latest versions of the European Standards listed in this annex is available here: www.cencenelec.eu.

<u>Publication</u>	<u>Year</u>	<u>Title</u>	<u>EN/HD</u>	<u>Year</u>
IEC 60947-5-2	2019	Low-voltage switchgear and controlgear - Part 5-2: Control circuit devices and switching elements - Proximity switches	EN IEC 60947-5-2	2020
-	-		+ A11	2022
IEC 61131-9	2022	Programmable controllers - Part 9: Single-drop digital communication interface for small sensors and actuators (SDCI)	EN IEC 61131-9	2022
IEC 62443-2	series	Security for industrial automation and control systems	EN IEC 62443-2	series
IEC/TS 63208	2020	Low-voltage switchgear and controlgear - Security aspects	-	-

INTERNATIONAL STANDARD

NORME INTERNATIONALE



**Low-voltage switchgear and controlgear –
Part 5-7: Control circuit devices and switching elements – Proximity devices with
analogue output**

**Appareillage à basse tension –
Partie 5-7 : Appareils et éléments de commutation pour circuits de commande –
DéTECTEURS de proximité à sortie analogique**

INTERNATIONAL
ELECTROTECHNICAL
COMMISSION

COMMISSION
ELECTROTECHNIQUE
INTERNATIONALE

ICS 29.130.20

ISBN 978-2-8322-8582-4

**Warning! Make sure that you obtained this publication from an authorized distributor.
Attention! Veuillez vous assurer que vous avez obtenu cette publication via un distributeur agréé.**

CONTENTS

FOREWORD.....	5
1 Scope.....	7
2 Normative references	8
3 Terms, definitions and list of abbreviated terms	8
3.1 Basic definitions.....	8
3.2 Operation of a proximity device.....	9
3.3 Output element characteristics.....	12
3.4 List of abbreviated terms.....	15
4 Classification.....	16
4.1 General.....	16
5 Analog characteristics	16
5.1 General.....	16
5.3 Rated and limiting values for the proximity device and output elements	16
5.3.1 Voltages	16
5.3.2 Currents	16
5.3.3 Load conditions	17
5.3.4 Linearity	17
6 Product information	17
6.1 Nature of information – Identification.....	17
6.1.1 Adding information.....	17
6.1.2 Specific information of 6.1.1 bc) Output characteristics.....	18
6.4 Environmental information	18
6.4.1 Environmentally conscious design process (ECD process)	18
6.4.2 Procedure to establish material declaration	18
7 Normal service, mounting and transport conditions.....	18
8 Constructional and performance requirements.....	19
8.1 General.....	19
8.1.1 Load conditions	19
8.1.18 Security aspects	19
8.1.19 Embedded software	19
8.2 Performance requirements.....	19
8.2.1 Acceptance criteria	19
8.5 Analog output limit values	19
8.5.1 General	19
8.5.2 Environmental test conditions	20
9 Tests	21
9.1 General.....	21
9.3.1 Test sequences	21
9.6 Verification of the electromagnetic compatibility.....	22
9.6.1 General	22
9.8 Additional requirements for proximity switches with analog output	22
9.8.1 Requirements for test programs and proper functioning verification procedures (PFVPs)	22
9.8.2 Verification of analog output	23
9.8.3 Accuracy and related factors	24

9.9	Testing of detection capabilities of physical sizes like operating distance, speed, rotation speed, frequency, etc.	25
9.9.1	General	25
Annex A (informative)	Example of the determination of the conformity	27
A.1	Example 1 of the determination of the conformity of an angle sensor, with linear output characteristics	27
A.2	Example 2 of the determination of the conformity of a position sensor, with nonlinear output characteristics	30
A.3	Test report and technical documentation	32
A.3.1	Test report.....	32
A.3.2	Technical documentation	32
A.3.3	Total probable error TPE	32
Annex B (informative)	Overview tests and influence quantities	34
B.1	Tests at the standard reference conditions.....	34
B.2	Tests at ambient and process reference conditions for influence quantities.....	36
Annex C (normative)	Additional requirements for proximity switches with analog output incorporating a built-in communication interface complying with IEC 61131-9	37
C.1	General.....	37
C.5	Analog Characteristics	37
C.5.1	Rated and limiting values for SDCI	37
C.6	Product information.....	37
C.8	Constructional and performance requirements	37
C.8.1	Constructional requirements	37
C.8.2	Electromagnetic compatibility (EMC)	37
C.9	Tests	38
C.9.1	Kinds of tests.....	38
Annex D (informative)	Main characteristics for proximity devices with analog output	39
D.1	Properties of proximity devices with analog output	39
D.2	Library of product properties and value lists	41
D.2.1	Library of properties used in the device classes.....	41
D.2.2	Value lists of properties	44
Bibliography	46
Figure 1	– Proximity device with analog output (PDAO), schematic block diagram structure	7
Figure 2	– Principle diagram of time values and their meanings	14
Figure 3	– Principle diagram of limit values and their ranges.....	15
Figure 4	– limit values of analog output signals.....	20
Figure A.1	– Output values diagram corresponding to example of Table A.1	28
Figure A.2	– Error curves corresponding to example of Table A.1	29
Figure A.3	– Non-linearity error curves corresponding to the example of Table A.1	30
Figure A.4	– Output values diagram corresponding to example of Table A.2	31
Figure A.5	– Error curves corresponding to example of Table A.2	32
Table 1	– Range of analog voltage signals.....	16
Table 2	– Range of analog current signals	17
Table 3	– Load conditions	17

Table 4 – Analog output signal static characteristics	18
Table 5 – Analog output dynamic characteristics	18
Table 6 – Analog output overload immunity test	24
Table 7 – Number of measurement cycles and number and position of test points	24
Table A.1 – Example table for the errors of a linear sensor	27
Table A.2 – Example table for the errors of a nonlinear sensor	31
Table B.1 – Summary of the tests at the reference conditions	34
Table B.2 – Summary of tests for influence quantities at the operating conditions	36
Table D.1 – proximity sensing devices with analog output	39
Table D.2 – Library of properties used in the device classes	41
Table D.3 – Value lists of properties	44

INTERNATIONAL ELECTROTECHNICAL COMMISSION

LOW-VOLTAGE SWITCHGEAR AND CONTROLGEAR –**Part 5-7: Control circuit devices and switching elements –
Proximity devices with analog output**

FOREWORD

- 1) The International Electrotechnical Commission (IEC) is a worldwide organization for standardization comprising all national electrotechnical committees (IEC National Committees). The object of IEC is to promote international co-operation on all questions concerning standardization in the electrical and electronic fields. To this end and in addition to other activities, IEC publishes International Standards, Technical Specifications, Technical Reports, Publicly Available Specifications (PAS) and Guides (hereafter referred to as "IEC Publication(s)"). Their preparation is entrusted to technical committees; any IEC National Committee interested in the subject dealt with may participate in this preparatory work. International, governmental and non-governmental organizations liaising with the IEC also participate in this preparation. IEC collaborates closely with the International Organization for Standardization (ISO) in accordance with conditions determined by agreement between the two organizations.
- 2) The formal decisions or agreements of IEC on technical matters express, as nearly as possible, an international consensus of opinion on the relevant subjects since each technical committee has representation from all interested IEC National Committees.
- 3) IEC Publications have the form of recommendations for international use and are accepted by IEC National Committees in that sense. While all reasonable efforts are made to ensure that the technical content of IEC Publications is accurate, IEC cannot be held responsible for the way in which they are used or for any misinterpretation by any end user.
- 4) In order to promote international uniformity, IEC National Committees undertake to apply IEC Publications transparently to the maximum extent possible in their national and regional publications. Any divergence between any IEC Publication and the corresponding national or regional publication shall be clearly indicated in the latter.
- 5) IEC itself does not provide any attestation of conformity. Independent certification bodies provide conformity assessment services and, in some areas, access to IEC marks of conformity. IEC is not responsible for any services carried out by independent certification bodies.
- 6) All users should ensure that they have the latest edition of this publication.
- 7) No liability shall attach to IEC or its directors, employees, servants or agents including individual experts and members of its technical committees and IEC National Committees for any personal injury, property damage or other damage of any nature whatsoever, whether direct or indirect, or for costs (including legal fees) and expenses arising out of the publication, use of, or reliance upon, this IEC Publication or any other IEC Publications.
- 8) Attention is drawn to the Normative references cited in this publication. Use of the referenced publications is indispensable for the correct application of this publication.
- 9) IEC draws attention to the possibility that the implementation of this document may involve the use of (a) patent(s). IEC takes no position concerning the evidence, validity or applicability of any claimed patent rights in respect thereof. As of the date of publication of this document, IEC had not received notice of (a) patent(s), which may be required to implement this document. However, implementers are cautioned that this may not represent the latest information, which may be obtained from the patent database available at <https://patents.iec.ch>. IEC shall not be held responsible for identifying any or all such patent rights.

IEC 60947-5-7 has been prepared by subcommittee 121A: Low-voltage switchgear and controlgear, of IEC technical committee 121: Switchgear and controlgear and their assemblies for low voltage. It is an International Standard.

This second edition cancels and replaces the first edition published in 2003. This edition constitutes a technical revision.

This edition includes the following significant technical changes with respect to the previous edition:

- a) New structure;
- b) Update and expansion of definitions on analog output properties;
- c) Expanded performance requirements on analog output;

- d) Update and new normative references;
- e) Update of EMC requirements;
- f) Harmonization with IEC 62828 series;
- g) Harmonization with IEC 62683 and IEC 61987 definitions;
- h) Harmonization with IEC 61131-2 requirements;
- i) Update of the Annex A (former Annex G), Example of the determination of the conformity;
- j) New Annex B, Overview tests and influence quantities;
- k) New Annex C, Additional requirements for proximity switches with analog output incorporating a built-in communication interface complying with IEC 61131-9;
- l) New Annex D, Main characteristics for proximity devices with analog output.

This International Standard is to be read in conjunction with IEC 60947-5-2:2019.

The text of this International Standard is based on the following documents:

Draft	Report on voting
121A/592/FDIS	121A/604/RVD

Full information on the voting for its approval can be found in the report on voting indicated in the above table.

The language used for the development of this International Standard is English.

This document was drafted in accordance with ISO/IEC Directives, Part 2, and developed in accordance with ISO/IEC Directives, Part 1 and ISO/IEC Directives, IEC Supplement, available at www.iec.ch/members_experts/refdocs. The main document types developed by IEC are described in greater detail at www.iec.ch/publications.

A list of all the parts in the IEC 60947 series, under the general title *Low-voltage switchgear and controlgear*, can be found on the IEC website.

The committee has decided that the contents of this document will remain unchanged until the stability date indicated on the IEC website under webstore.iec.ch in the data related to the specific document. At this date, the document will be

- reconfirmed,
- withdrawn, or
- revised.

IMPORTANT – The "colour inside" logo on the cover page of this document indicates that it contains colours which are considered to be useful for the correct understanding of its contents. Users should therefore print this document using a colour printer.

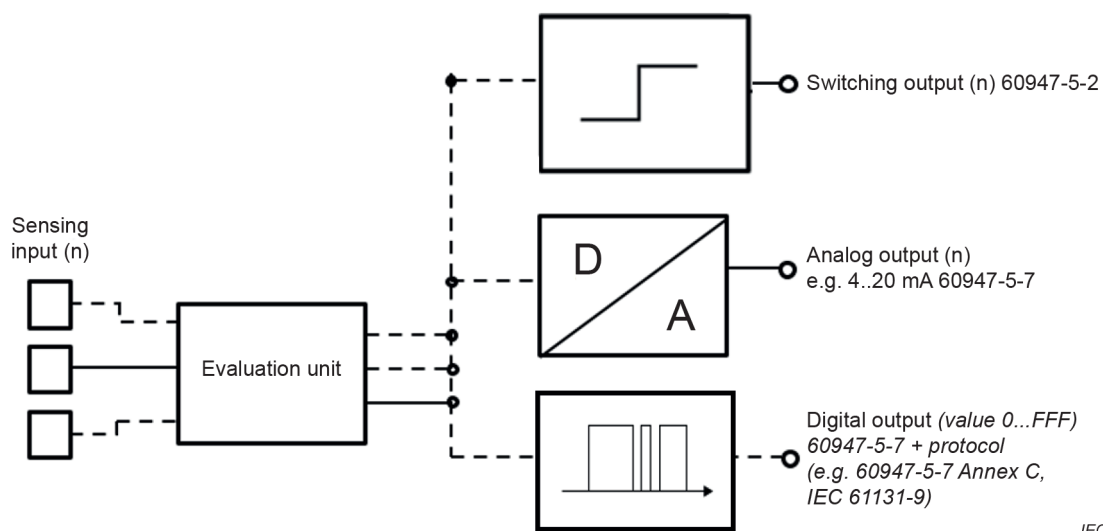
LOW-VOLTAGE SWITCHGEAR AND CONTROLGEAR –

Part 5-7: Control circuit devices and switching elements – Proximity devices with analog output

1 Scope

This part of IEC 60947 states the requirements for proximity devices that correspond to the scope of IEC 60947-5-2:2019 with analog output (PDAO) and/or a digital output to transmit a corresponding digital value representing the detected sensing input. These devices can provide additional parameters. Figure 1 shows the schematic principle of such a device. They might consist of one or more parts.

The requirements of IEC 60947-5-2, *Low-voltage switchgear and controlgear – Part 5-2: Control circuit devices and switching elements – Proximity switches*, apply with the additions and modifications as stated in this document. The clause numbering in this document follows the clause numbering of IEC 60947-5-2, modified where necessary.



Key

evaluation unit Evaluating electronic circuitry, e.g. MCU, ASIC component...

**Figure 1 – Proximity device with analog output (PDAO),
schematic block diagram structure**

This document does not apply to industrial process measurement transmitters according to IEC 62828 series.

Examples of typical applications for in-scope products:

- factory automation and machinery industry;
- logistic and packaging industry;
- conveyor belts, lifts;
- process industry;
- power plants.

Special applications (e.g. corrosive atmosphere) can cause additional requirements.

Products covered by the scope of this document are expected to be selected, installed, and maintained by skilled personnel only.

NOTE 1 Analog proximity devices can be linear or non linear.

NOTE 2 The specific requirements, characteristics, and test procedures for an analog output interface which are described in Clauses 5, 6 and 9 of this document, are based on requirements written in IEC 61131-2:2017.

2 Normative references

The following documents are referred to in the text in such a way that some or all of their content constitutes requirements of this document. For dated references, only the edition cited applies. For undated references, the latest edition of the referenced document (including any amendments) applies.

IEC 60947-5-2:2019, *Low-voltage switchgear and controlgear – Part 5-2: Control circuit devices and switching elements – Proximity switches*

IEC 61131-9:2022, *Programmable controllers – Part 9: Single-drop digital communication interface for small sensors and actuators (SDCI)*

IEC 62443 (all parts), *Industrial communication networks – Network and system security*

IEC TS 63208:2020, *Low-voltage switchgear and controlgear – Security aspects*